

2' PolyDock Connector

Instructions

Part #: 1006631 - Tan

Part #: 1029360 - Gray

Parts List			
ITEM	QTY	PART NUMBER	DESCRIPTION
1	1	1003470 / 1029499	2' Notched Bottom Connector Tan/Gray
2	1	1003469 / 1029500	2' Notched Top Connector Tan/Gray
--	2	1004512	Poly Connector Rod 13.875 with hardware (composite)
3	1	1007918	Poly Connector Rod 13.875 Composite
4	1	1001026	Washer Rectangular SS 1/8 x 2 x 3/4
5	1	1002606	Washer Lock 5/16 SS
6	1	1001025	Bolt Hex 5/16-18 x 4.5 Full Thread SS 304
7	1	1002566	Screw Oval #12 x 1.0 SS

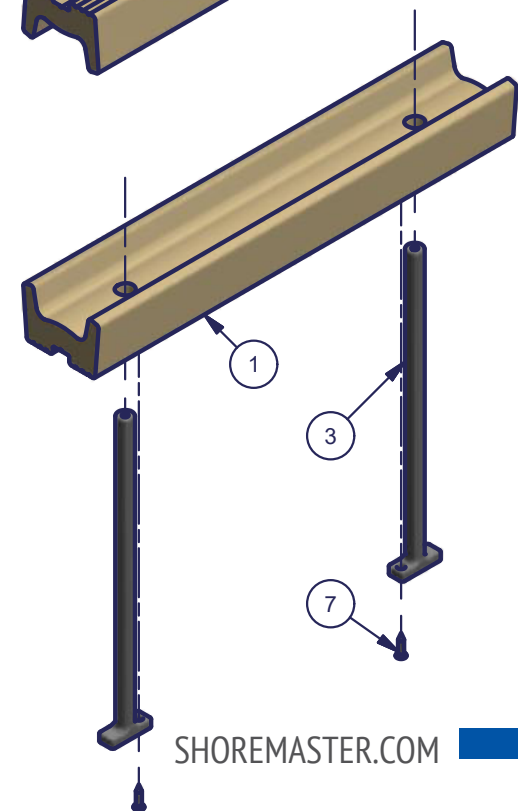
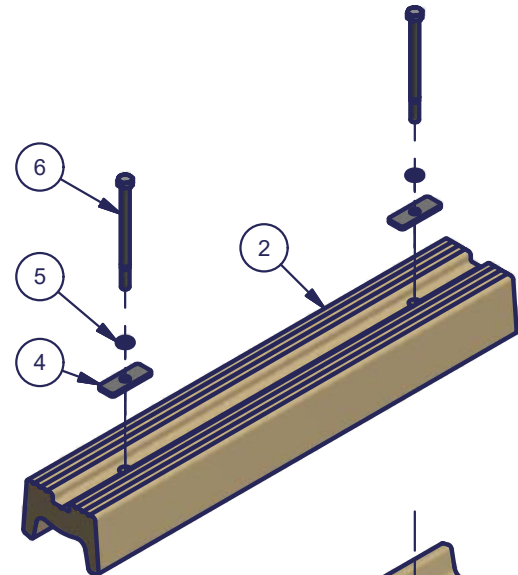
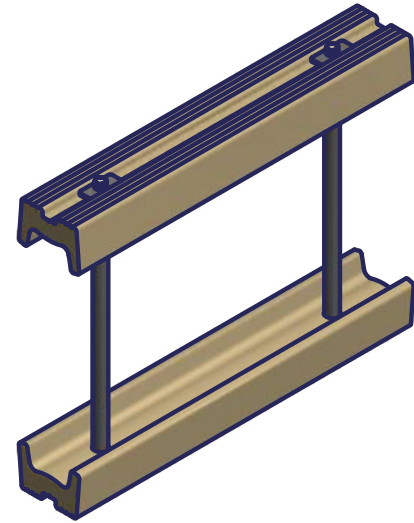
Failure to follow instructions may result in personal injury and may invalidate the applicable warranty.

Step 1. Place Poly Connector Rod 13.875 Composite up through holes in 2' bottom connector and secure using screw oval #12 x 1.0 - as shown.

Step 2. Place bottom connector with poly connector rods in place on the end of the poly dock to be connected.

Step 3. Place the top connector in place on top of poly dock where it is to be connected, lining up the poly composite rods with the holes in the connector.

Step 4. Secure by inserting a 5/16 x 4-1/2 bolt through a 5/16 lock washer, then the rectangular washer, and finally threading into the poly connector rods through the top connector. Tighten to 20 ft/lbs.



2' PolyDock Connector

Instructions

Part #: 1006631 - Tan

Part #: 1029360 - Gray

Parts List			
ITEM	QTY	PART NUMBER	DESCRIPTION
1	1	1003470 / 1029499	2' Notched Bottom Connector Tan/Gray
2	1	1003469 / 1029500	2' Notched Top Connector Tan/Gray
--	2	1004512	Poly Connector Rod 13.875 with hardware (composite)
3	1	1007918	Poly Connector Rod 13.875 Composite
4	1	1001026	Washer Rectangular SS 1/8 x 2 x 3/4
5	1	1002606	Washer Lock 5/16 SS
6	1	1001025	Bolt Hex 5/16-18 x 4.5 Full Thread SS 304
7	1	1002566	Screw Oval #12 x 1.0 SS

Failure to follow instructions may result in personal injury and may invalidate the applicable warranty.

Step 1. Place Poly Connector Rod 13.875 Composite up through holes in 2' bottom connector and secure using screw oval #12 x 1.0 - as shown.

Step 2. Place bottom connector with poly connector rods in place on the end of the poly dock to be connected.

Step 3. Place the top connector in place on top of poly dock where it is to be connected, lining up the poly composite rods with the holes in the connector.

Step 4. Secure by inserting a 5/16 x 4-1/2 bolt through a 5/16 lock washer, then the rectangular washer, and finally threading into the poly connector rods through the top connector. Tighten to 20 ft/lbs.

